

SAFEPORT™ MANIFOLD

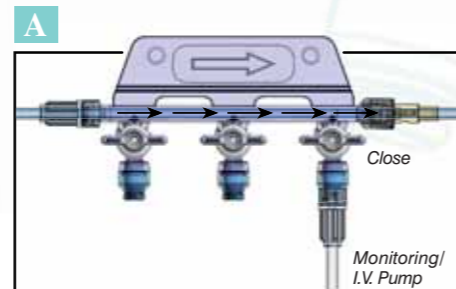
Innovative drug delivery device primarily for anesthesia procedures

Operating procedure:

Connecting to Monitoring / I.V. Pump

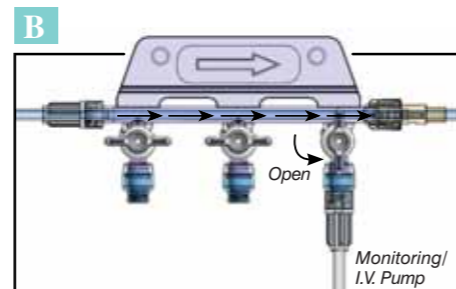
A

Connect line from monitoring/I.V. pump to port.



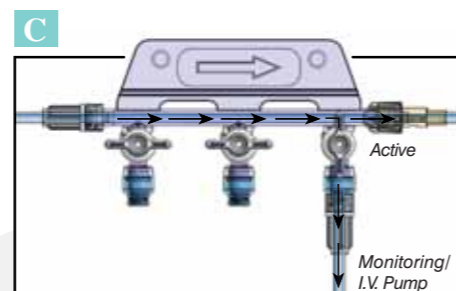
B

Activation: Switch handle to Free Flow position. Saline flows through monitoring line/ I.V. Pump



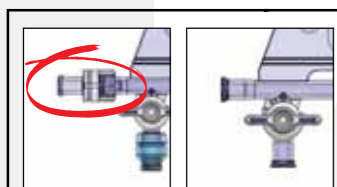
C

Line is filled with saline. Monitoring system/ I.V. Pump is active.



Configurations:

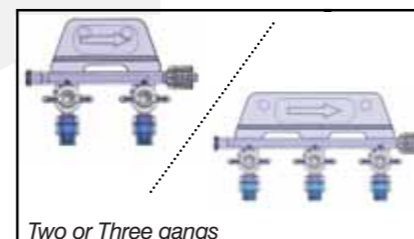
The SafePort™ manifold is available in the following configurations:



With or without a Check Valve



With or without swabbable valves



Two or Three gangs



Head Office / Manufacturer
Elcam Medical
BarAm 13860
Israel
Tel: 972-4-698-8120/1/2
Fax: 972-4-698-0777
sales@elcam.co.il
www.elcam-medical.com

USA
Elcam Medical INC.
2 University Plaza, Suite 620
07601 Hackensack, NJ
Tel: +1 201 4571120
Fax: +1 201 4571125
info@elcam-medical.com
www.elcam-medical.com

Europe
MedNet GmbH
Borkstrasse 10
48163 Muenster Germany
Tel: +49 (0) 251 32266 0
Fax: +49 (0) 251 32266 22
info@medneteurope.com
www.medneteurope.com

China
Elcam China Office
Room 25B, Building B, No. 1118 of Changshou Rd.,
Shanghai 200042, China
上海市长寿路1118号悦达国际大厦B幢25B室, 200042
Tel: +86 2152375561
Fax: +86 2152375562
johnliu02@126.com



ISO 13485
ISO 9001

REV-2, 10/2009



Ideas to Solutions

- Improved Function manifold, convenient one handed operation
- Utilizing 2 or 3 SafePorts (patented) offering two flow options
- Eliminates the risks of gas embolism or blood loss during disconnection
- Induction procedure is implemented without the use of needles
- Compatible for use with blood pressure monitoring devices
- Clear high flow line between the I.V. line and the patient



SAFEPORT™ MANIFOLD

Innovative drug delivery device primarily for anesthesia procedures

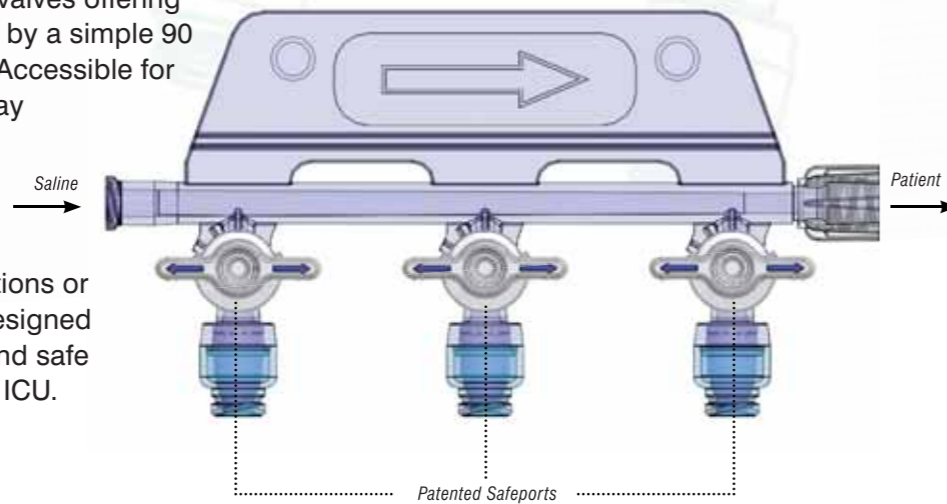


www.elcam-medical.com

SafePort™ Manifold

Elcam Medical's unique IV drug delivery device, primarily for anesthesia procedures.

The SafePort™ is an improved function manifold with two or three side-port valves offering two flow options controlled by a simple 90 degree turn of the handle: Accessible for two way free flow or one way pressure activation. SafePort™ manifold allows delivery by pump, multiple syringes and/or IV lines with preferred solutions or drugs. The SafePort™ is designed especially for convenient and safe operation in the OR and/or ICU.

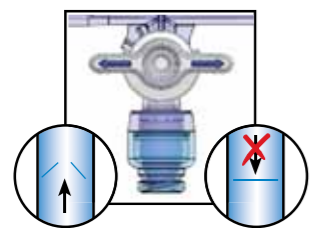


SafePort™ Advantages

Patented, easy to use dual flow option innovative port. Each port provides high level of safety and allows simplicity with single-handed operation.

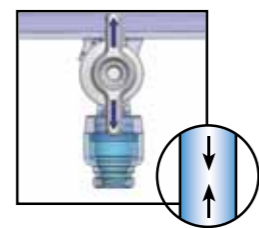
1. Two flow options

One way pressure activated



Pressure activated gate
Sealed gate to I.V. line

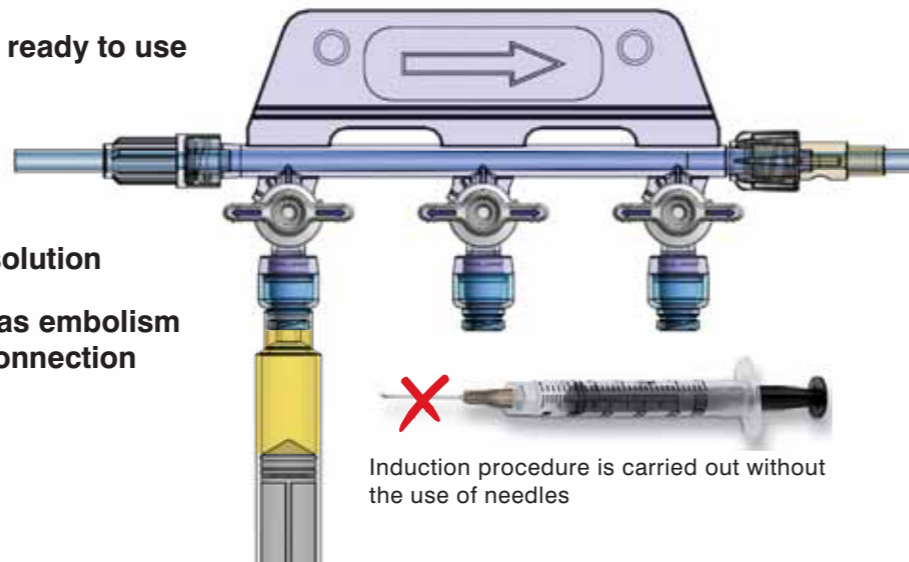
Free flow



Free flow of fluid in both directions

Each port allows:
• Gravity Feed
• Aspiration
• Bolus injection

2. Syringe connected and ready to use



Induction procedure is carried out without the use of needles

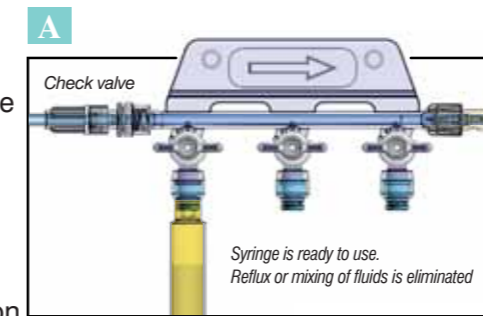
3. No reflux or mixing of solution

4. Eliminates the risk of gas embolism or blood loss during disconnection of the syringe

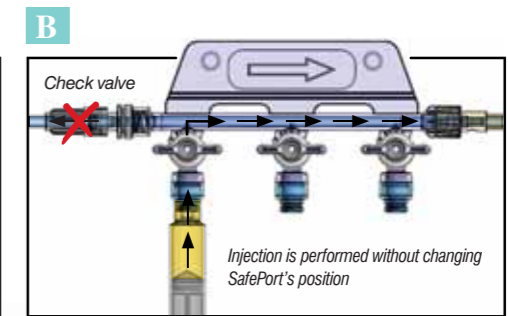
Operating procedure:

Bolus Injection

A SafePort™ in one way pressure activated state

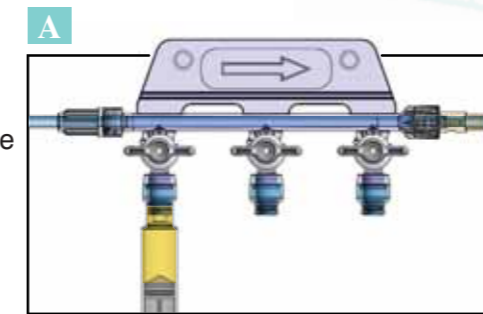


B Injection can be performed repeatedly. Optional Check Valve prevents flow of solution towards infusion bag.

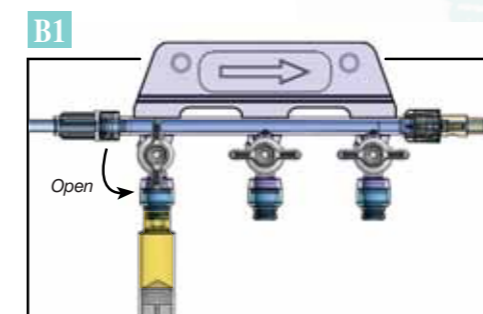


Bolus Injection when dilution is needed

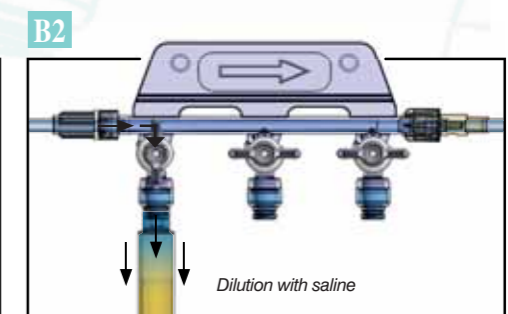
A SafePort™ in one way pressure activated state



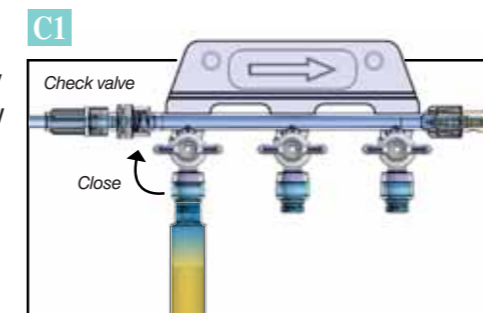
B1 Switch port to FREE FLOW state. Allows drawing of saline into syringe



B2 Dilution with saline



C1 Switch port to one way pressure activated flow



C2 Injection can be performed repeatedly. Optional Check Valve prevents flow of solution towards infusion bag.

