



## SLIT-SEPTUM LINE

Needleless Components for IV Applications

Devices with an injection site, allowing needle-free penetration through a latex-free septum.

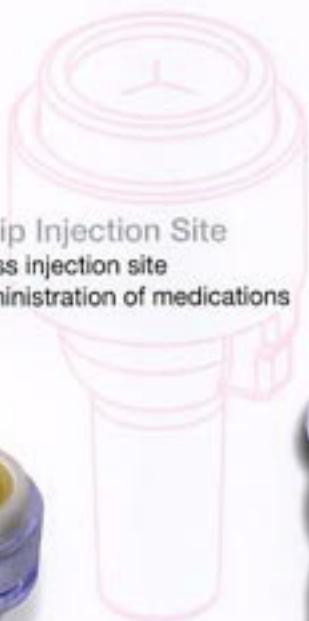
### Y-Site

- A Y-shaped device designed to match I.V. sets
- For continuous and/or intermittent infusion



### Luer Lock/ Luer Slip Injection Site

- A latex-free needle-less injection site
- For sampling and administration of medications



### Features

- Eliminates the need for using needles, providing protection against needle sticks
- Self - reseal after syringe retraction
- Leak-proof for 150 activations/penetrations
- Compatible with all common fluids used in I.V. therapy, anesthesia and feeding
- All the materials meet biological requirements according to ISO 10993-1: under 'blood contact, indirect and prolonged duration'
- EtO and Gamma Radiation sterilization compatible

### Y-Site with Straight Cannula



# CANNULA

Needleless Components for IV Applications

An adapting device used to penetrate the Y-site and injection site, eliminating the need to use needles in hospital procedures.

## Locking Cannula

- Providing complete safety in a secure connection through the locking mechanism
- For secondary sets and secure syringe connections



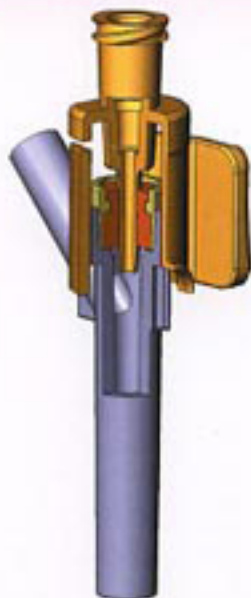
## Straight Cannula

- Cannula with safety wings to maintain a good grip
- For medication push via a syringe

## Features

- Eliminates the need for using needles, providing protection against needle sticks
- Fast and easy connection and disconnection to I.V. lines
- Compatible with all common fluids used in I.V. therapy, anesthesia and feeding. Lipid resistant
- All the materials meet biological requirements according to ISO 10993-1: under 'blood contact, indirect and prolonged duration'
- EtO and Gamma Radiation sterilization compatible

Y-Site with Locking Cannula

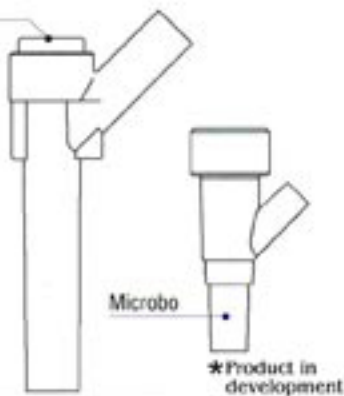


# Elcam - Med Net Needleless System

Elcam Plastic and Med Net in a joint development are now offering their new "needleless system components" which are compatible with most needleless systems in the market.

## Pre-Slit Y Injection Site for continuous/intermittent infusion.

Non-Latex Slit Septum

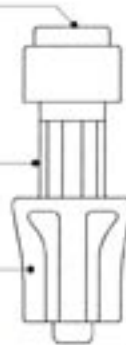


## Pre-slit Injection Site (Heparin Lock) for sampling and administration of medication.

Non-Latex Slit Septum

Ergonomic Shaft

Male Luer Lock



## Locking blunt Cannula for secondary sets and syringe secure connection.

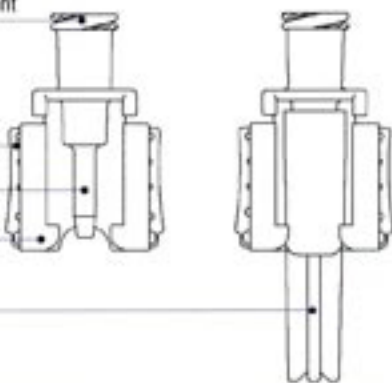
Female Luer Lock Fitment

Release Wings

Blunt Cannula

Locking Mechanism

Protector

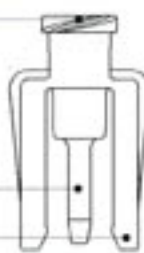


## Straight Cannula For Syringe Med. push.

Female Luer

Blunt Cannula

Stabilizing Mechanism



## Luer-slip Injection Site

Non-Latex Slit Septum

Male luer



All components are compatible with  
E.T.O. and Gamma radiation.



### For further information and orders please contact us through:

Elcam Plastic (Israel)  
Kibbutz Baram  
Tel. 6 6988120/1  
Fax. 6 6980777  
E-mail: sales@elcam.co.il

European Office:  
Med-Net GmbH  
Eschstrasse 19  
48167 Münster Germany  
Tel. 49 2506 86440  
Fax. 49 2506 86442  
E-mail: mednetms@aol.com

U.S. Office:  
Medical Associates Network, INC.  
801 N. Brand Blvd.  
Suite 690 Glendale CA 91203  
Tel. 818 500 7711  
Fax. 818 500 7745  
E-mail: mednetca@aol.com

